

No need to stop MACHINES



**Centralised Automatic Lubrication Systems & Greasing SPM, Oiling SPM, for Auto Industries and Others..**

**A Source of Complete Oil & Grease Lubrication Solutions**



Managing Director



## COMPANY PROFILE (Since 2009)

**Lubsa Multilub Systems Pvt. Ltd.** is one of the extra ordinary manufacturers of Oil & grease Lubrication Systems & Hydraulic power pack & other assembly metric pump for enabling plant, special purpose machine for greasing, oiling application & Other P.V.C. liquid pump for bottle food packing cover in national & international markets. We are an **ISO 9001:2015 certified organization**. The most important fact about the firm is that they always wishes to do extraordinary compared to other firms. This fact mostly keeps them ahead of their competitors by a huge margin. Apart from the quality products manufacturing firm also keeps their rates very reasonable so that nobody has to choose between quality & prices. We are believed on the product quality and client satisfaction. The honorable Managing Director Mr. **A. K.Yadav** is very dynamic and dedicated persons with high level of determination.

Leveraging on our manufacturing facility, we are able to fabricate a wide range of centralized lubrication system for meeting the requirements of oil and grease in diverse industries.

Furthermore, we also have with us an experienced team who assist us in designing and developing our range as per the specific requirements of the customers. With the help of our expert team, we are providing erection and commissioning services to our customers. The best value is also enhanced by **Lubsa** wide customer service network guaranteed fast delivery, rapid response, local back-up, as well as by wide service network supporting the after sales service.

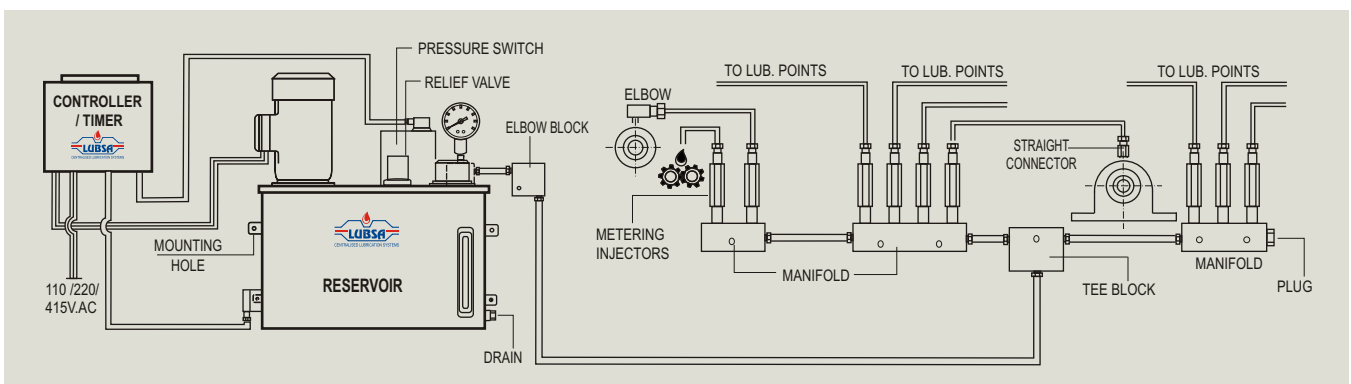
- PROLONGED LIFE OF MACHINE.
- MORE PRODUCTION.
- MORE RELIABILITY.
- NO HUMAN ERROR.
- OPTIMUM LUBRICANT TO EACH POINT.
- LESS CONSUMPTION OF LUBRICANT.
- LOW NOISE LEVEL.
- LESS POWER CONSUMPTION.
- LESS WEAR & TEAR.
- SAFE NO NEED TO STOP MACHINE.

## DESIGN FACILITY - SOLID WORK SOFTWARE

**Centralised lubrication system can be adopted on any machine particularly:-**

- ◆ Machine Tools
- ◆ Textile machines
- ◆ Packaging equipment
- ◆ Presses and Hammers
- ◆ Pulp & paper processing machines
- ◆ Food Processing equipment
- ◆ Wood working machine
- ◆ Knitting machine
- ◆ Pharmaceutical machines
- ◆ Stone processing machines
- ◆ Printing machine
- ◆ Forzing plants
- ◆ SPM machine
- ◆ Injection/Blow moulding machine
- ◆ Pouch malcium/filling machine
- ◆ Bottle forming /filling washing machine
- ◆ Sheet metal working machine
- ◆ Shearing and press brakes
- ◆ Die casting machine
- ◆ Rubber making machine
- ◆ Metal forms machine
- ◆ Calendering machine
- ◆ Cement plants
- ◆ Sugar plants
- ◆ Rolling mill machine
- ◆ Wire drowing machine

## INSTALLATION LAYOUT



Vendor registration, email : [akyadav@lubsa.co.in](mailto:akyadav@lubsa.co.in)

## MANUAL GREASE PUMPS

### APPLICATION

This pump suitable for grease lubrication to bearing & other moving part of machines ( Low viscosity Grease)

### WORKING

On pulling the handle of pump, grease are sucked through suction port on pushing handle of pump grease comes out under pressure through check value. Spring pressure through follower plate exerted over the top surface of the grease further helps to push the grease in suction port.

### EQUIPMENT

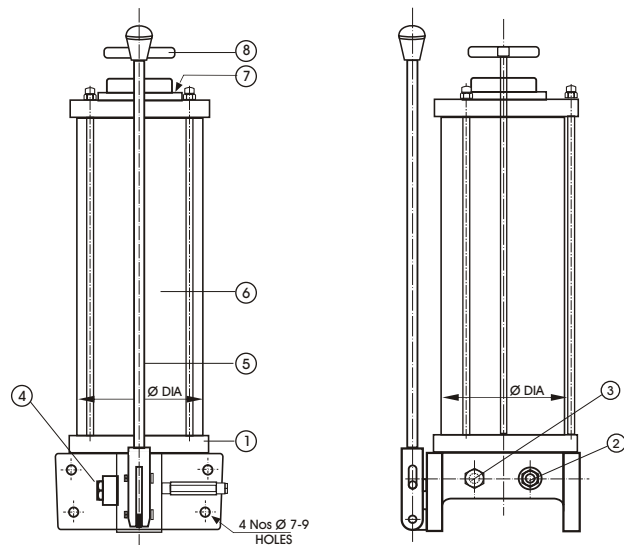
Pump is made up of purely transparent acrylic reservoir for storage of grease. For sensing the Grease level a tell tale rod is provide and follower plate assembly for help in positive suction of grease. It contains two outlet part of 1/4" BSP right and left side in which one is used as air bleed valve and second port used as a outlet. To check reverse flow of grease, a non return valve is provide in the system at the outlet port.

### FILLING OF GREASE

Grease can be filled manually or with another pump. Filling from pump 1/4" BSP port is provide. Manually, we have to remove follower plate, spring, top cover and fill the grease from the top of the reservoir and to fit all the components by pressure . For air removing unscrew the bleed plug pull the handle maximum out and press the follower plate by knob till grease comes out from bleed plug.

### DISTRIBUTION SYSTEM

A Progressive block is used to distribute the grease to the available lubrication points in sequence one after another. Progressive Blocks are added as per requirement.



**PART NAME**

1 PUMP BODY	4 BLEED PLUG	7 TOP COVER
2 OUTLET PORT-1/4" BSP	5 LEVER	8 TELL TALE ROD ASSY.
3 GREASE FILLING NIPPLE	6 RESERVOIR	

### Technical Specifications

MODEL	RESERVOIR CAP.	DISCHARGE	MAX. PRESSURE	WALL MOUNTING
LMGP - 500 - 3	0.5 Kg.	3cc / Stroke	300 Kg. / Cm <sup>2</sup>	4 Holes, 7 Dia
LMGP - 1000 - 4	1.0 Kg.	4cc / Stroke	250 Kg. / Cm <sup>2</sup>	4 Holes, 7 Dia
LMGP - 1500 - 8	1.5 Kg.	8cc / Stroke	200 Kg. / Cm <sup>2</sup>	4 Holes, 9 Dia
LMGP - 5000 - 8	5 Kg.	8cc / Stroke	200 Kg. / Cm <sup>2</sup>	4 Holes, 9 Dia



### PROGRESSIVE DISTRIBUTOR BLOCKS (OIL & GREASE)

Progressive distributor blocks of LPB-4555 (Secondary Line) / LPB-6080 (Primary Line) series are meant for distribution of grease/oil delivered by a pump. From this progressive block we get lubricant in sequently one after another. Any one outlet is blocked then the progressive block will stop functioning. with suitable monitoring devices, this blockages is sensed and suitable warning is given to avoid running the machine without proper lubrication. These blocks can be used for intermittent / continuous lubrication.

#### Technical Specifications

MODEL	LPB-4555-3-6	LPB-4555-4-8	LPB-4555-5-10	LPB-4555-6-12	Or-As per Req.
MODEL	LPB-6080-3-6	LPB-6080-4-8	LPB-6080-5-10	LPB-6080-6-12	Or-As per Req.
MODEL	LPB-80100-3-6	LPB-80100-4-8	LPB-80100-5-10	LPB-80100-6-12	Or-As per Req.

**NOTE :** Indicator pin & Proximity switch can be provided as per customers requirement with additional cost.

Model LPB 80100 use for havy duty machinery (Approx primary line more then 12mm up to 25mm. Inlet & outlet port 1/2" BSP).



AN ISO 9001-2015 CO.



Registered With  
**NSIC**  
CERTIFIED CO.



CENTRALISED LUBRICATION SYSTEMS

**A SOURCE OF COMPLETE OIL /GREASE EQUIPMENTS RESEARCH & DEVELOPMENT CENTRE**

## **LUBSA MULTILUB SYSTEMS (P) LIMITED**

(An ISO 9001:2015 Certified Company)

**Head Office :** (All corresponding address)

Plot No. 1870, DC, Dabua Gajipur Road, (Near Bhardwaj Medical Store)  
N. I. T. FARIDABAD-121001 (HR) INDIA Mob. : 9212566247 (akyadav@lubsa.co.in)  
9717190247 (info@lubsa.co.in), 9871496247 (sales@lubsa.co.in) (Sunday- Closed)

**Manufacturing plant**

Plot No. 1- 6 & 67-71 Village Bajri, Near Pali Chowk, Front of petrol pump,  
Ballabgarh Sohna Road, N.I.T. FARIDABAD-121001 ( Haryana) INDIA  
Mob. : 9899451247, 9871496247 E-mail : lubsa1981@gmail.com  
Website : www.lubsa.co.in, lubsalubsystems.com (Sunday- Closed)



Google Maps

*Note : Specifications are subject to be changed without any notice.*

**CUSTOMERS' CARE No. 9899451247**